

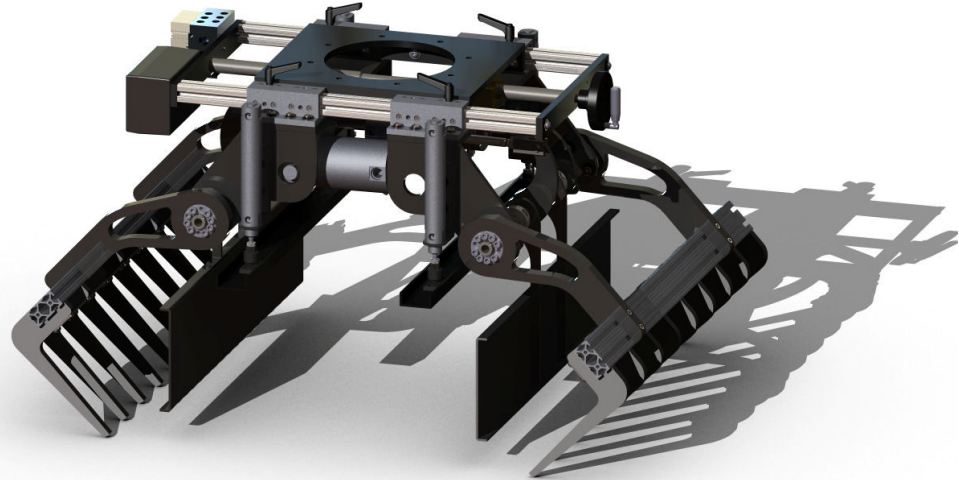


FOCUS Integration, LLC

Bag Palletizing End Effector (BE-40)

Newly designed, greatly improved

FOCUS Integration introduces a newly designed and improved end effector for bag palletizing. From the onset, the goal was to develop this new bag end effector to be stronger, lighter, and more consistent in bag placement than its predecessor. Through the use of polymer materials and laser-cutting technology we have been able to accomplish all three goals. Construction consists of high-impact extruded aluminum profiles, high strength-to-weight ratio linear guides, laser cut polymer bag tines, and laser cut aluminum components. Benefits of this new end effector include cushioned cylinders for vibration damping, high-flow solenoid valves for quick response, pre-wired components to a single junction box, and pre-piped to a manifold block. All pneumatic piping is color coded for ease of maintenance and de-bug. Options include compression plenum, slipsheet attachment, pallet pick attachment, and independently actuated side bag guides.



Features

- Compact, light-weight design
- Electro-mechanical operation
- Cushioned actuators for vibration damping and extended tool life
- High strength-to-weight ratio components and materials
- Simple hand crank for bag width adjustments, optional servo drive
- Polymer bag tines offering high impact strength and light weight
- Optional hold-down plenum
- Optional slipsheet pick
- Optional pallet pick
- Optional bag side guides

Specifications

Tool Weights:

Base weight	30Kg
Slipsheet pick	3Kg
Pallet pick	13Kg
Hold down plenum	3Kg
Side bag guides	8Kg
Heavy-duty version	10Kg

Bag Sizes (standard):

Width	13"-24"
Length	24"-36"
Height	3"-6 1/2"
Weight	up to 50Kg

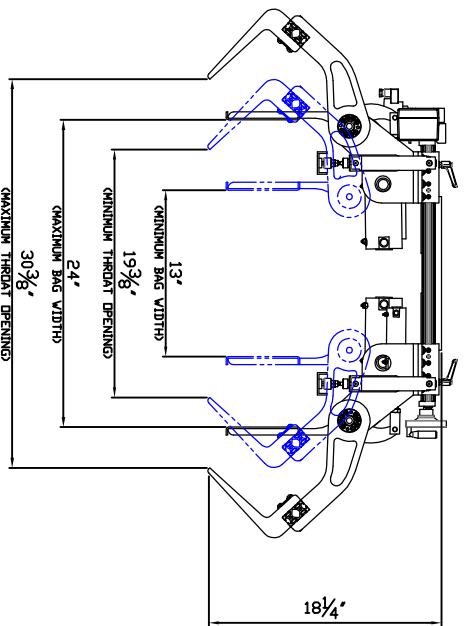
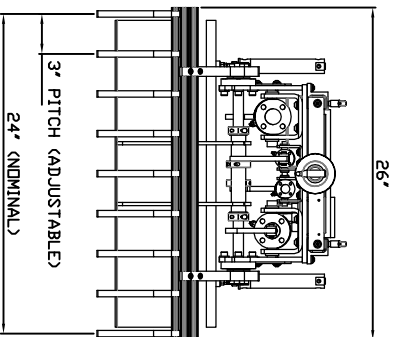
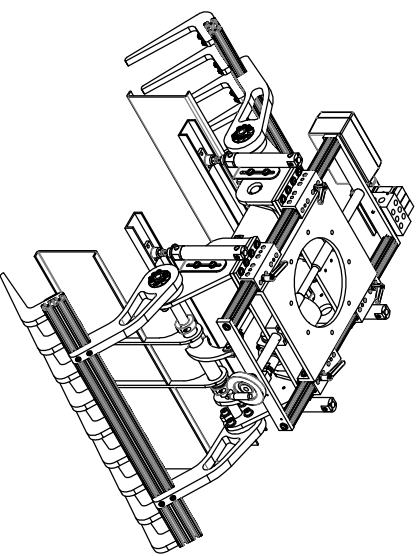
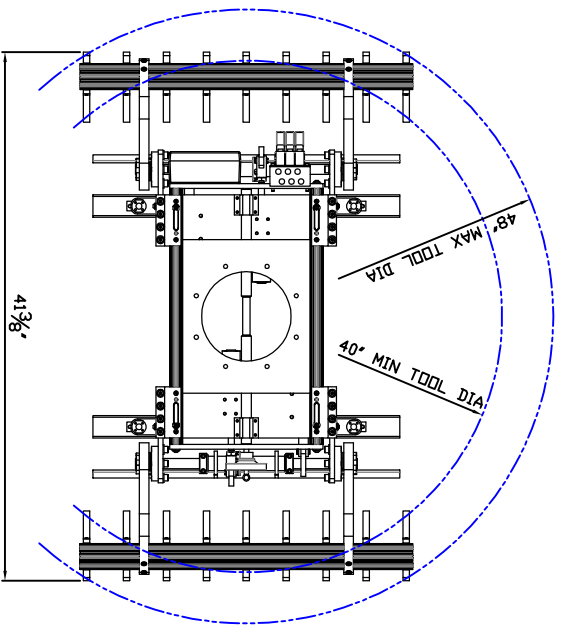
Base Tool Dimension:

20" - 24" tool radius (based on bag width)

Pricing:

\$9,600 base price
Options extra

For an evaluation of your material handling needs, contact us at 248.987.6785



FOCUS
 THE INFORMATION CONTAINED IN THIS DRAWING IS THE SOLE PROPERTY OF FOCUS INTEGRATION, LLC. IN A WHOLE WITHOUT THE WRITTEN PERMISSION OF FOCUS INTEGRATION, LLC IS PROHIBITED.

UNLESS OTHERWISE SPECIFIED		DRAWN	NAME	DATE
DIMENSIONS ARE IN INCHES		BR	BR	
TOLERANCES:		CHECKED	ENG APPR	
FRACTIONAL ±	DECIMAL ±	ENG APPR	BR	
ANGULAR EACH ±	BEND	WFG APPR		
AND FLAT DECIMAL ±				
THREE PLACE DECIMAL ±				
INTERPRET GEOMETRIC TOLERANCING PER		QA	COMMENTS	
MATERIAL				
FINISH				
DO NOT SCALE DRAWING				

FOCUS Integration, LLC
 TITLE:
 A01 - BE40 Final Assembly

SCALE: 1:10 WEIGHT: SHEET 1 OF 1
 SIZE DWG. NO. REV